

# PRESSURE TRANSDUCER

## ZH377 FDW wet/wet differential pressure transducer



### PERFORMANCE

100 PSID

0.25%

0-10 VDC

### Resolution

Infinite

### Temperature, Operating

- 40°F to +240° F

### Temperature, Compensated

+40°F to +140° F

### Temperature, Error Band

### 0.25% Accuracy

± 1% F.S.

### ENVIRONMENTAL

### ELECTRICAL

### Excitation (calibrated)

### Amplified (0-10 VDC)

12-28 VDC

### Media

Liquid

### Overload-Safe (+direction)

4 x F.S. or 3,000 psi whichever is less

### Overload-Safe (-direction)

4 x F.S. or 250 psi whichever is less

### Wetted Parts Material

Hasterloy C276 & 316L Stainless Steel

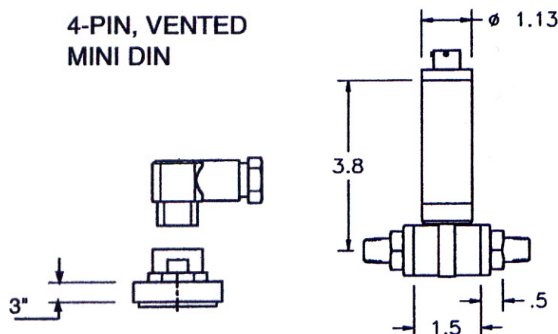
### MECHANICAL

### Line Pressure

500 psi

### DIMENSIONS AND TRANSDUCER CONNECTIONS

4-PIN, VENTED  
MINI DIN



## R J Mellor & Co Ltd

1 Devonshire Grove, Sheffield, South Yorkshire, England, S17 3PG

Tele: +44 (0) 114 236 8666 Fax: +44(0) 114 236 3020

E-mail: sales@rjmellor.co.uk Web: www.rjmellor.co.uk

Specialist Lubrication  
Engineers

The information contained in this data sheet is for guidance only and does not form part of any contract. The accuracy cannot be guaranteed as R J Mellor & Co Ltd. has an ongoing process of development and reserve the right to change the specification of their products without notice